



WINDSOR SEVERANCE FIRE RESCUE, CO

SPARTAN GLADIATOR

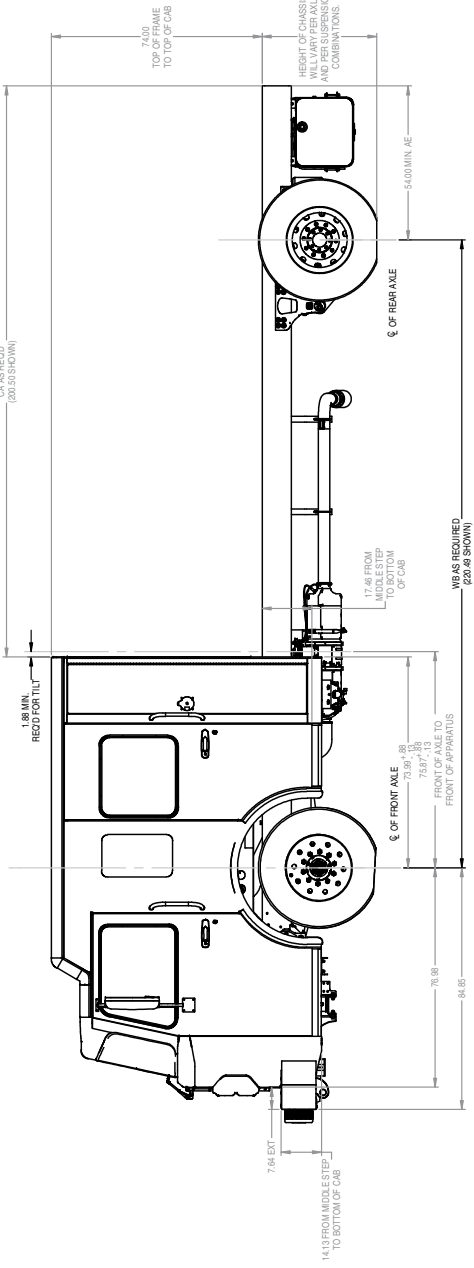
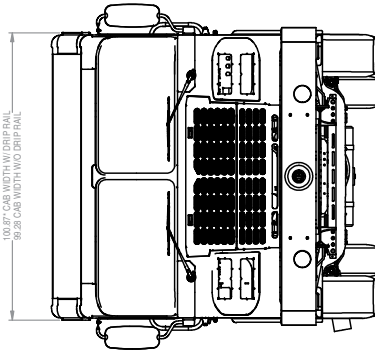
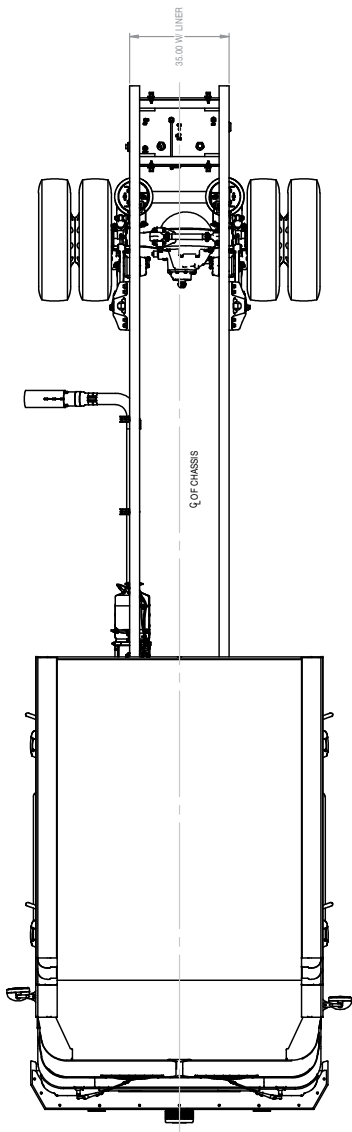
SOLD BY: SVI TRUCKS

Cab & Chassis

- ▶ Spartan Gladiator ELFD 10" Raised Roof
- ▶ Cummins L9 450 HP
- ▶ Advanced Protection System
- ▶ White Paint Scheme
- ▶ Cab Engine Tunnel w/Extra Hip Room Shortened
- ▶ Extreme Duty Dash
- ▶ Frame Paint Gloss Black
- ▶ Durabright Wheels
- ▶ Front & Rear Disc Brakes
- ▶ Front: 20,000 lbs; Rear: 27,000 lbs.
- ▶ Elec System 12V DC MUX
- ▶ Cab Engine Tunnel Large
- ▶ Transmission Allison 3000 EVS
- ▶ Front Axle Cramp Angle 48L/44R Degrees
- ▶ Wheelbase 200.5"
- ▶ Frt Bumper Structural Steel Severe Duty
- ▶ Frt Bumper Extension Length 8"
- ▶ Bostrom Firefighter Seats
- ▶ Whelen LED Warning Lights



REV	DESCRIPTION	DATE	BY	CHKD
1	ISSUED FOR CONSTRUCTION			



8411Z OEM A
 SPARTAN MOTOR CORPORATION
 Spartan Motors USA, Inc.
 8000 SHELBY AVENUE
 ELFD RFD, IL
 60120-1000
 TEL: 815.396.1000
 FAX: 815.396.1001
 WWW.SPARTANMOTORS.COM

NOTES:
 DIMENSIONS ARE FOR REFERENCE ONLY.
 CONTACT SPARTAN MOTORS ENGINEERING FOR
 ACTUAL PART DIMENSIONS & TOLERANCES.





BARKHAMSTED FIRE DISTRICT, RIVERTON, CT

SPARTAN METRO STAR

SOLD BY: MARION BODY & NORTHEASTEN FIRE

Cab & Chassis

- ▶ Spartan Metro Star MFD 10" Raised Roof
- ▶ Cummins L9 450 HP
- ▶ Advanced Protection System
- ▶ White / Yellow Two-Tone Paint Scheme
- ▶ Advanced Climate Control
- ▶ Extreme Duty Dash
- ▶ LED Headlamps
- ▶ Durabright Wheels
- ▶ Galvanized Frame w/ Black Painted Components
- ▶ Power Windows
- ▶ Front: 20,000 lbs; Rear: 31,500 lbs.
- ▶ Elec System 12V DC
- ▶ Cab Engine Tunnel Small/Medium
- ▶ Transmission Allison 3000 EVS
- ▶ Front Axle Cramp Angle 48L/44R Degrees
- ▶ Tire Chains Rear Axle ON-Spot 6 Strand Auto
- ▶ Wheelbase 214.5"
- ▶ Frt Bumper Stainless Steel Flat
- ▶ Frt Bumper Extension Length 24"
- ▶ Frt Bumper Cmpt Ctr
- ▶ USSC Valor Seats



